

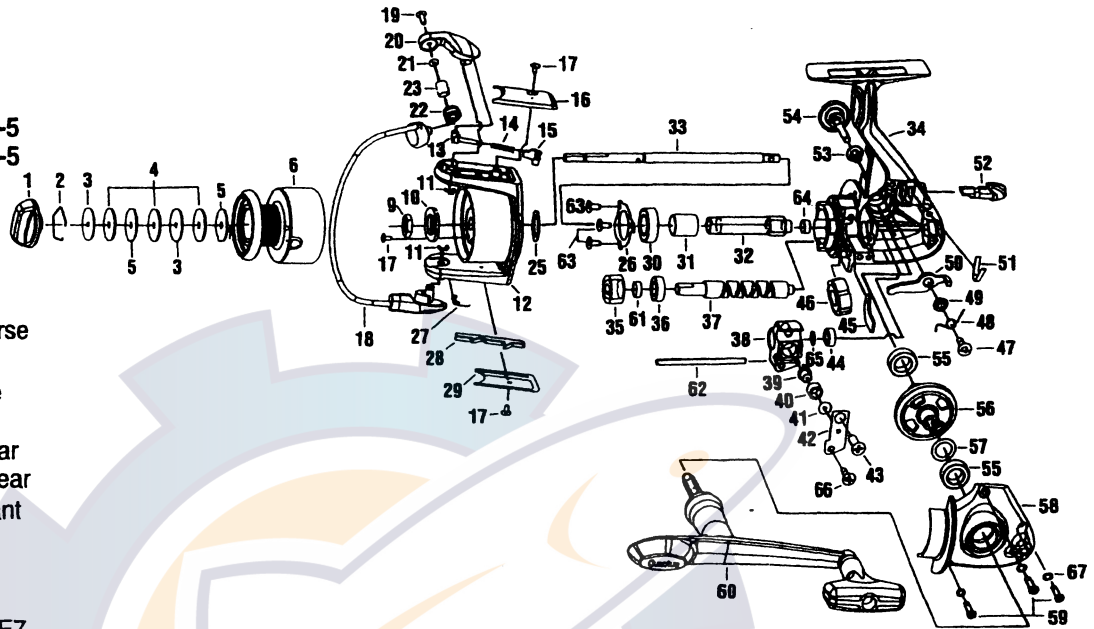
QUANTUM EM4-5 / EM7-5

SPECIFICATIONS:

Med. Heavy Freshwater
 Light Saltwater
 220 yds/12 lb Line Capacity
 5.8:1 Ratio
 14.6 oz. Weight
 6 Ball, 1 Roller Bearing – EM7-5
 3 Ball, 1 Roller Bearing – EM4-5

FEATURES:

One-piece, no-torque aluminum frame
 TRU-Balance rotor/handle
 Selective Continuous Anti-Reverse
 Soft-touch padded reel stem
 MaxCast aluminum Long Stroke spool
 Forged-aluminum alloy drive gear and machined brass pinion gear
 Stainless-steel corrosion-resistant hardware
 Right/left hand retrieve
 Worm gear oscillation
 Spare lt.-line spool included on E7 reel



Key No.	EM7-5 Part No.	EM4-5 Part No.	Description	Price	Key No.	EM7-5 Part No.	EM4-5 Part No.	Description	Price
1	GH332-06	GH332-07	Drag Knob Assembly	2.80	37	UU201-01	UU201-01	Worm Shaft	3.00
2	SU038-01	SU038-01	Drag Retainer	.30	38	UU204-01	UU204-01	Pawl Holder	1.25
3	RU080-01	RU080-01	Drag Washer "D"	1.10	39	TU207-01	TU207-01	Pawl	2.63
4	RU033-01	RU033-01	Drag Washer "B"	2.50	40	UQ208-03	UQ208-03	Pawl Collar	.31
5	RU081-01	RU081-01	Drag Washer "A"	1.10	41	RU209-01	RU209-01	Pawl Washer	.30
6	UU321-01	UU321-02	Spool Assembly	14.85	42	RU205-01	RU205-01	Pawl Holder Retainer	1.15
9	RU006-01	RU006-01	Rotor Nut	.90	43	UQ100-03	UQ100-03	Main Shaft Screw	.40
11	GH034-01	GH034-01	E-Clip	.31	44	GH202-02	N/A	Worm Shaft Ball Bearing	7.40
12	UU009-01	UU009-02	Rotor	14.80	44	N/A	GH203-01	Worm Shaft Bushing	.30
13	QL031-01	QL031-01	Bail Spring Shaft	.77	45	TU206-01	TU206-01	Worm Shaft Retainer	1.13
14	KQ049-05	KQ049-05	Bail Spring	.31	46	GH074-01	GH074-01	Clutch Bearing	10.71
15	QL020-01	QL020-01	Bail Spring Holder	.31	47	RU077-01	RU077-01	Anti-Reverse Pawl Screw	.25
16	UU087-01	UU087-02	Arm Lever Spring Cover	2.60	48	TU061-01	TU061-01	Anti-Reverse Pawl Spring	.31
17	RU041-01	RU041-01	Screw	.40	49	TU091-01	TU091-01	Anti-Reverse Pawl Post	1.13
18	UU347-01	UU347-02	Bail Assembly	3.70	50	TU063-01	TU063-01	Anti-Reverse Pawl	1.18
19	AQ108-01	AQ108-01	Line Slider Screw	.30	51	GH089-01	GH089-01	Anti-Reverse Lever Spring	1.18
20	UU007-01	UU007-02	Arm Lever	2.25	52	GH090-03	GH090-03	Anti-Reverse Lever	2.50
21	GU105-25	GU105-25	Line Roller Washer	.31	53	RU105-01	RU105-01	Handle Cap Washer	.50
22	TU004-03	N/A	Line Roller w/Bearing	6.70	54	RU073-01	RU073-02	Handle Cap Screw	1.75
22	N/A	GH004-02	Line Roller	4.55	55	BL157-01	BL157-01	Ball Bearing	5.41
23	N/A	GH016-01	Line Roller Bushing	1.13	56	TU012-01	TU012-01	Drive Gear	16.65
26	TU040-01	TU040-01	Bearing Plate	1.10	57	GU105-13	GU105-13	Adjust Washer	.64
27	GH049-01	GH049-01	Kick Lever Spring	.31	58	TU023-03	TU023-04	Body Cover	8.15
28	UU019-01	UU019-01	Kick Lever	1.95	59	RU057-01	RU057-01	Body Cover Screw	.50
29	UU024-01	UU024-02	Kick Lever Cover	2.60	60	TU318-01	TU318-02	Handle Assembly	12.95
30	UK028-01	UK028-01	Ball Bearing	5.72	61	GH212-01	N/A	Worm Shaft Collar	1.13
31	TU052-01	TU052-01	Bearing Sleeve	2.68	62	TU211-01	TU211-01	Stabilizer Bar	1.55
32	TU011-01	TU011-01	Pinion Gear	5.00	63	RU041-01	RU041-01	Screw	.40
33	UU315-01	UU315-01	Main Shaft Assembly	4.30	64	RU141-01	RU141-01	Pinion Bushing	1.55
34	TU301-03	TU301-04	Body Assembly	18.15	65	GU105-31	GU105-31	Worm Shaft Washer	.31
35	GH200-01	GH200-01	Level Wind Gear	2.94	66	GH123-01	GH123-01	Plate Screw	.90
36	GH202-01	N/A	Worm Shaft Ball Bearing	7.40	67	RU142-01	RU142-01	Body Cover Screw Washer	.90
36	N/A	TU202-01	Worm Shaft Bushing	.31					

MODEL INTRODUCED 1997

EFFECTIVE DATE OF PARTS LIST/DIAGRAM Oct. 1996

DISCONTINUED N/A